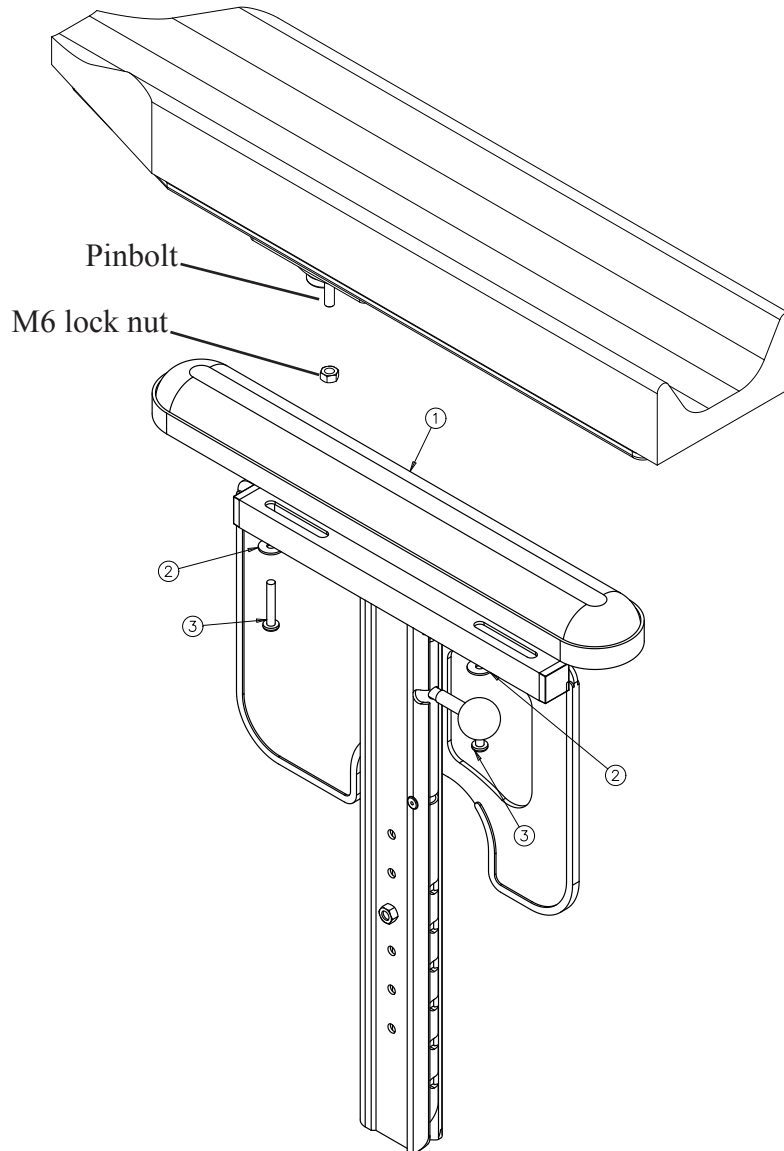


## Mounting description for Hemiplegia armrest



Unfix both the screws (Pos.3), and remove the armrest pad.

Remove the M6 lock nut from the Hemiplegia armrest and put the pinbolt on the Hemiplegia armrest into the track on the back of the armrest.

Put a stop disc (Pos.2) on the pinbolt and fix it with the M6 lock nut.

This mounting description is the same for left and right.