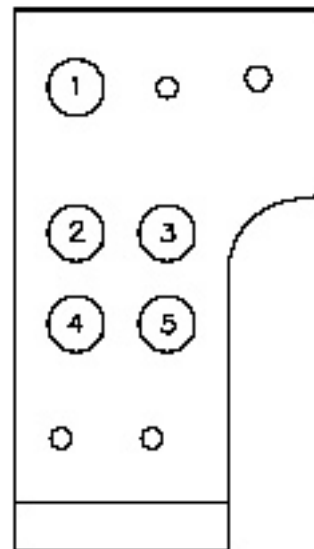


Mounting Description Drum brake Nettı Svipp

Positioning the drum brake in the main wheel bracket.

Tools: 2 pcs 24" open end spanner.

Depending on size of main wheel and required height of wheelchair, mount the brake anchor-plate with the main wheel bushing and position lock in the correct positions of the main wheel adapter. To get correct pull of the brake mount the brake anchor-plate as described in the setup bottom right.

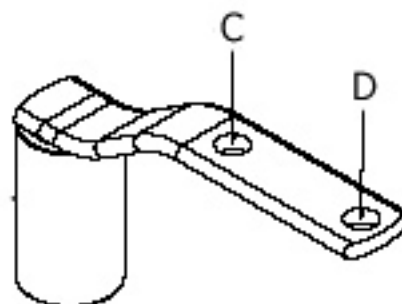


Main wheel adaptor Nettı Svipp

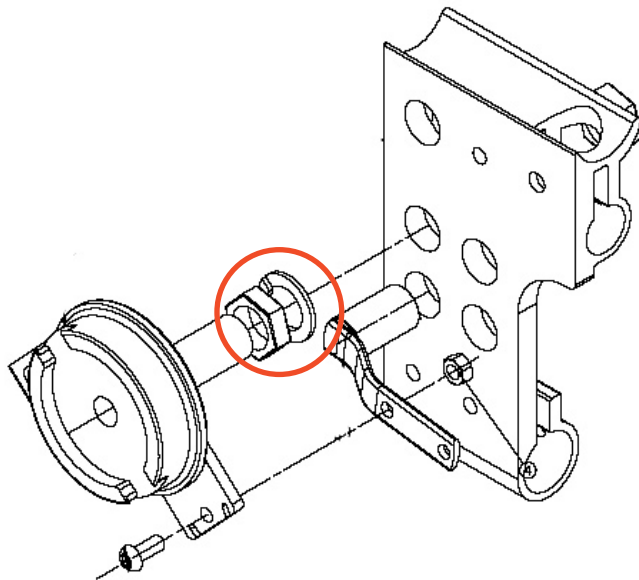


Brake anchor-plate A = Main wheel bushing
B = Position lock

Position for drum brake Nettı Svipp	
A in position 1 = B in position 3-D	
A in position 2 = B in position 4-C	
A in position 3 = B in position 5-C	
A in position 4 = B in position 2-D	
A in position 5 = B in position 3-D	



When attaching the brake anchor-plate to the main wheel bracket, make sure that the enclosed steel disk is placed between the nut and the outside of the frame, as shown below.

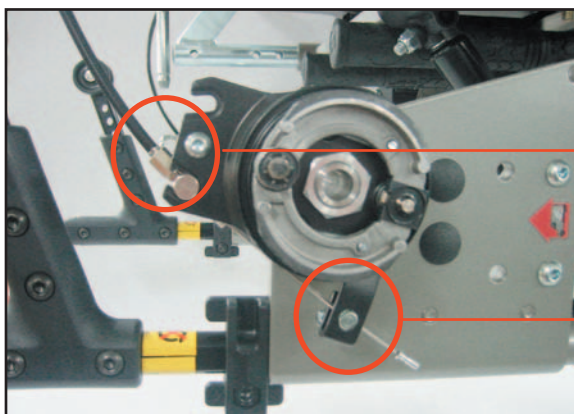


Mounting of push handles and placing of the wire

The push handles are placed in the holes in each end of the push bar adapter. NB! Remember to replace the safety screw and nut at the end of the push handle.



Open the zippers along the backrest tubes and lead the wire on the inside of the backrest velcro.



To fine-tune the brake use an 8 mm open-end spanner on the foot screw on the brake anchor-plate.

To adjust the wire use an 8 mm open-end spanner on the set screw